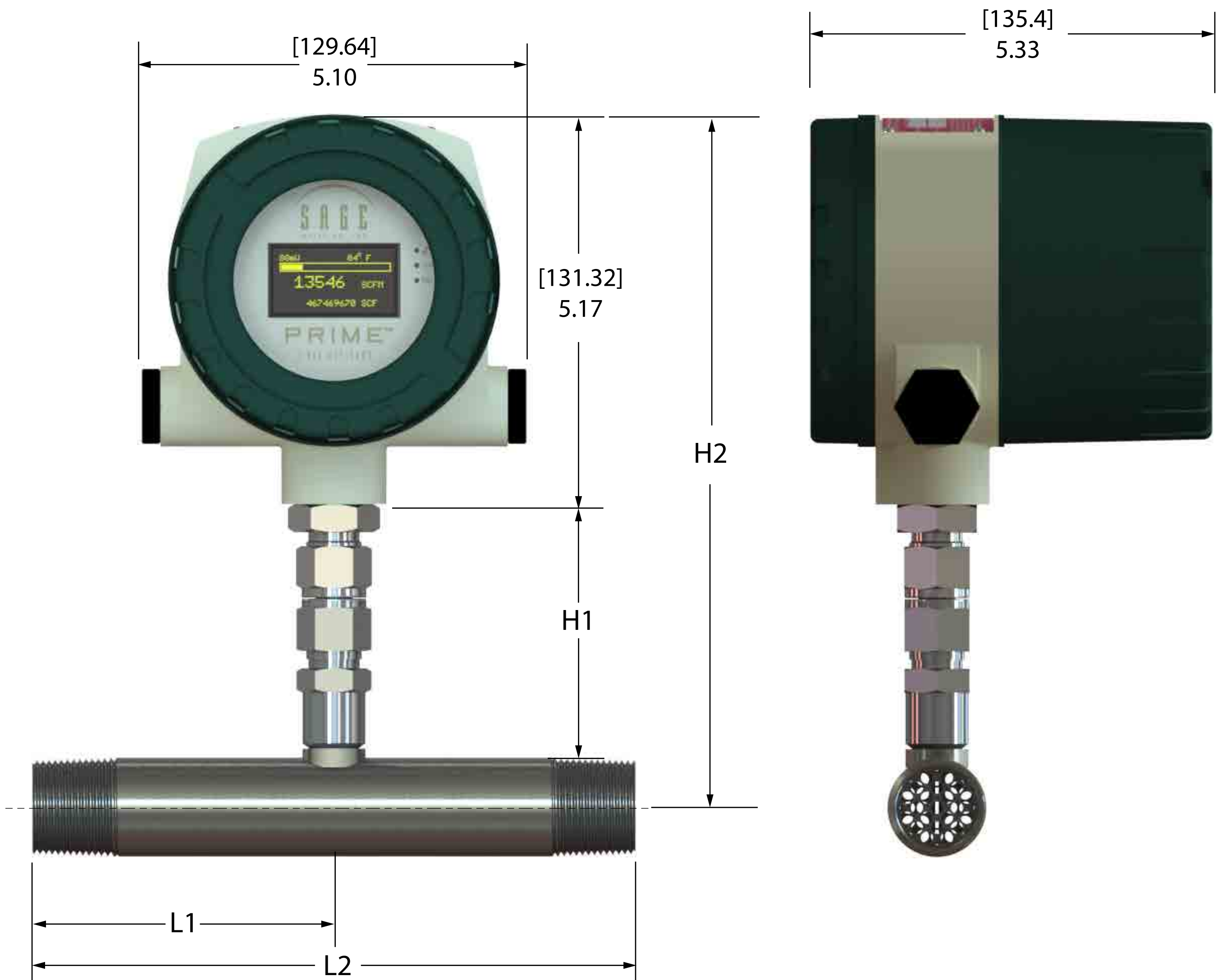


# Prime, Integral, In-Line AC Dimensional Drawing

NOTES:

1. DIMENSIONS IN BRACKET ARE IN MILLIMETERS ([mm]).
2. VERSION EXPLANATION:  
PROBE FLOW BODY SIZE:  
95-0158-X.XXX  
  - | -0.250 = 1/4" DIA.x6 INCH LONG
  - | -0.375 = 3/8" DIA.x6 INCH LONG
  - | -0.500 = 1/2" DIA.x7 INCH LONG
  - | -0.750 = 3/4" DIA.x7 INCH LONG
  - | -1.000 = 1" DIA.x8 INCH LONG
  - | -1.500 = 1-1/2" DIA.x10 INCH LONG
  - | -2.000 = 2" DIA.x12 INCH LONG
  - | -2.500 = 2-1/2" DIA.x12 INCH LONG
  - | -3.000 = 3 DIA.x12 INCH LONG
  - | -4.000 = 4 DIA.x12 INCH LONG
3. FLANGE ENDS OPTIONALLY AVAILABLE IN LIEU OF NPT FITTINGS.  
FACE TO FACE DIMENSIONS SAME AS COLUMN L2 IN TABLE.



SIZE FOR NPT FLOW BODY (PRIME)					
FLOW BODY	Size	H1	H2	L1	L2
40-0233	1/4"x6"	3.9"	3.0"	3.0"	6"
40-0235	3/8"x6"	3.84"			
40-0431	1/2"x7"	3.7"	9.1"	3.5"	7"
40-0242	3/4"x7"				
40-0178	1"x8"	3.55"	9.05"	4"	8"
40-0248	1-1/4"x10"	3.3"	8.98"	5"	10"
40-0252	1-1/2"x12"		9.1"		
40-0256	2"x12"		9.34"	6"	
40-0260	2-1/2"x12"	3.31"	9.59"		12"
40-0262	3"x12"	4.25"	10.85"	6.25"	
40-0264	4"x12"	3.3"	10.40"	8.17"	

