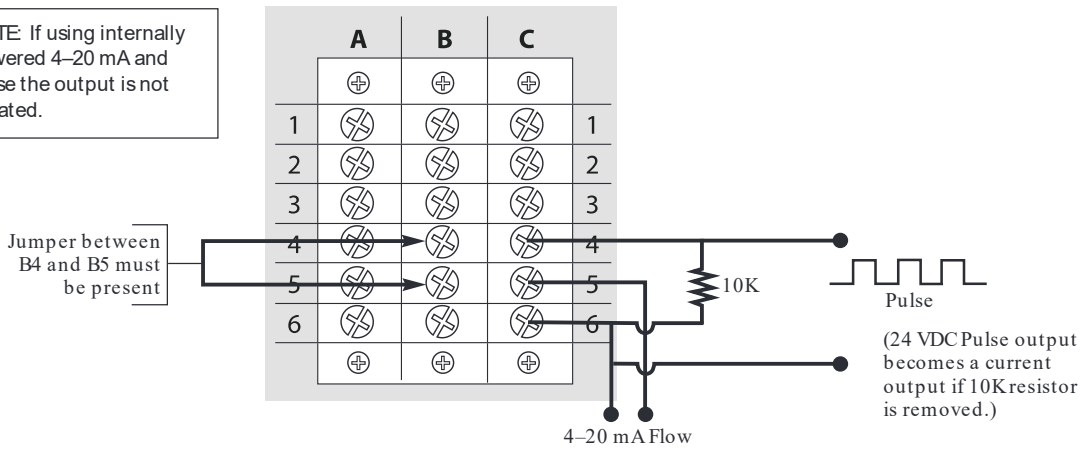


INTERNALLY POWERED 4–20 mA AND PULSE

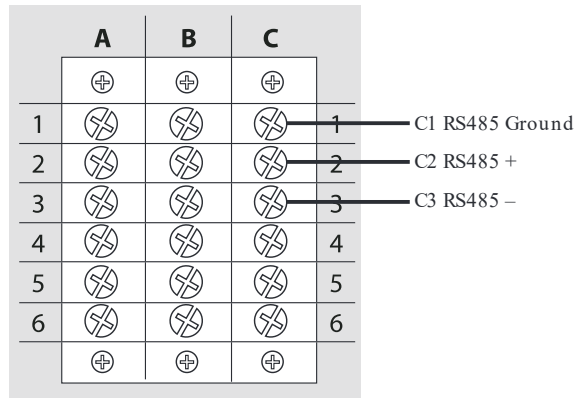
NOTE: If using internally powered 4–20 mA and pulse the output is not isolated.



MODBUS CONNECTIONS

Modbus RS485 RTU communications is available on non-HART units.

PRIME ONLY: Modbus Ground is only isolated from the power supply ground on Prime PLUS version. (Hazardous area approvals not available.)



INTEGRAL ELECTRONICS SENSOR CONNECTIONS

Wiring between the sensor and the electronics is completed and tested by Sage. These connections are rarely accessed by the user.

